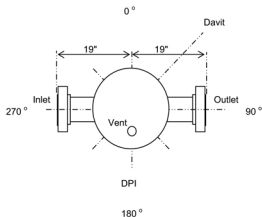
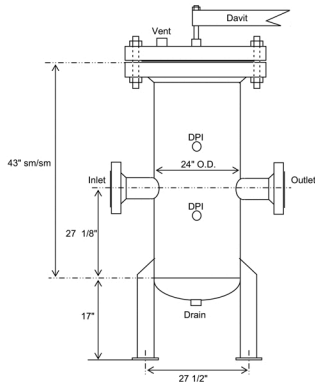


ORIENTATION**DESIGN**

Code:	ASME Sec. VIII, Div. I
Registration:	N/A
Est. Weight:	TBA
Pressure:	150 psig
Temperature:	-49/100 deg F
Corrosion Allowance:	1/16"
Hydro Test Pres.:	1.3 x Design Pres.
Radiography:	RT-4
PWHT:	No
Other NDE:	Impact Test
Service:	Sweet
Blast:	Comm.
Primer:	(1) coat shop standard
Finish Paint:	No

ELEVATION

Available in 180, 285, 740 and 1480 psi.
 Choose from 2" to 12". Custom sizes to 24" available.
 Flowrates 5,000 to 25,000,000 scfh

Connections

SERVICE	SIZE	QTY	TYPE	RATING
INLET	12"	1	RFWN	150#
OUTLET	12"	1	RFWN	150#
DRAIN	1"	2	CPLG	6000#
DPI	1/2"	2	CPLG	6000#
VENT	1/2"	1	CPLG	6000#



385 Watline Avenue, Mississauga, Ontario, L4Z 1P3

DRY GAS FILTER