

# FABRICATED STRAINERS

MODELS & SPECIFICATIONS

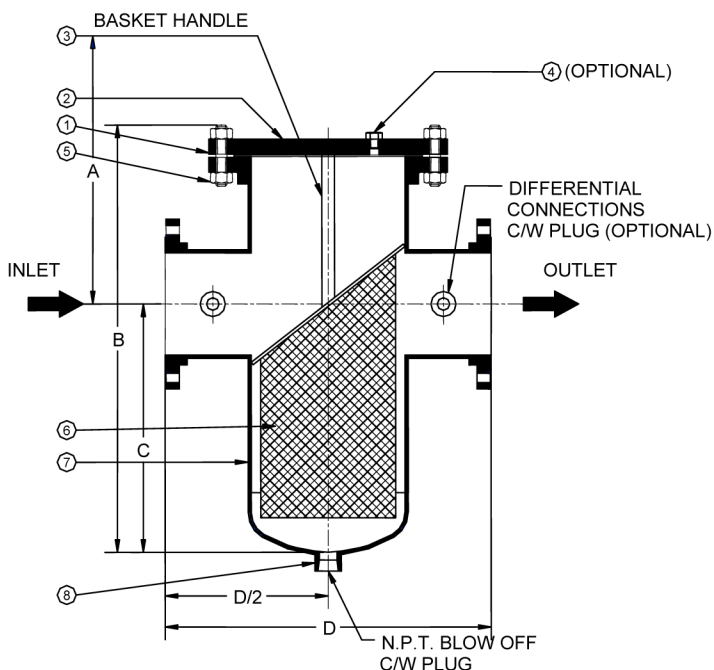


## FB150/300/600CS

Carbon Steel

## FB150/300/600SS

Stainless Steel



### FEATURES

**IFT** fabricated strainers are designed and fabricated to ASME Section VIII and/or applicable ANSI codes. Standard size ranges are, but not limited to, 1-1/2" to 24" with 150#, 300# and 600# ANSI ratings with the capability to supply units with 900#, 1500# and 2500# ratings. Basket and body sizes can be tailored to suit any pressure drop or space requirements the customer might have. Standard materials of construction are carbon and stainless steel, however **IFT** can and does fabricate basket strainers to meet your requirements from almost any alloy. The basket strainer can be installed in horizontal pipelines only. Our standard sized body basket strainers are designed around minimum room requirements talking up proportionally the same amount of space as a cast unit

### BILL OF MATERIALS

Item	Description	Qty
1	GASKET	1
2	COVER FLANGES	1
3	BASKET HANDLE	1
4	VENT (OPTIONAL)	1
5	STUDS AND NUTS	as req.
6	BASKET ASSEMBLY	1
7	BODY ASSEMBLY	1
8	DRAIN PLUG	1

### OPTIONS

- Flanged, butt weld, grooved, \*socket weld and \*screwed inlet/outlet connections available.
- Automatic/manual flush
- Hinged/Clamp quick release cover assemblies.
- Full range of NDE/NDT testing
- Steam jacketing
- Special coatings
- Mounting legs
- Multi basket design

### STANDARD SCREENS

Size	Opening	Std. Mesh/Perf.
1-1/2"-24"	0.125"	1/8" perf.

Other perforations and basket materials available.

\* Smaller sizes only where available.

NOTES: SPECIFICATION AND SIZES CAN CHANGE WITHOUT PRIOR NOTICE; FOR REFERENCE ONLY; NOT TO BE USED FOR PRE-PIPING WORK; NOT TO SCALE  
ACCURATE DIMENSIONS AND DETAILS WILL BE ISSUED WITH ENGINEERING DRAWING



385 Watline Avenue, Mississauga, Ontario