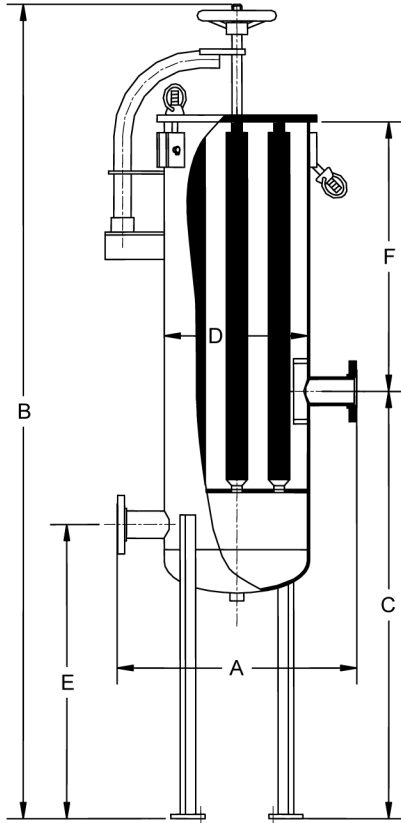


SPECIFICATIONS



MAX # OF CARTRIDGES: 16 (Ø2 1/2)

MATERIAL: CS, SS (TYPE 304, 316...), EXOTIC ALLOYS, OR OTHER ON REQUEST

CONNECTION TYPES:

FLANGE: RFSO, RFWN #150;

COUPLING: FNPT#3000; MNPT#3000;
SANITARY TRI-CLAMP

DRAIN CONNECTION: 1" FNPT#3000 2 PLC'S.

VENT CONNECTION: 1/4" FNPT#3000 ON LID

GAUGE CONNECTION: 1/4" FNPT#3000 ON LID

DESIGN PRESSURE: 150PSI, OR PER REQUEST

DESIGN TEMPERATURE: 250°F, OR PER REQUEST

GASKET: BUNA-N, EPR/EPDM, TEVC, VITON, OR OTHER ON REQUEST

CARTRIDGE TYPES: DOUBLE OPEN END
222 TYPE O-RING
OR OTHER ON REQUEST

THREE LEGS WITH BOLT DOWN HOLES Ø1"

CARTRIDGE LENGTH	A	B	C	D	E	F	INLET/OUTLET CONNECTION SIZE
10	22 1/4	53	35 1/2	14	27	7	2
20	22 1/4	63	44	14	27	8 1/2	3
30	22 1/4	73	44	14	27	18 1/2	3
40	22 1/4	82	44	14	27	27	4

NOTES: SPECIFICATION AND SIZES CAN CHANGE WITHOUT PRIOR NOTICE; FOR REFERENCE ONLY; NOT TO BE USED FOR PRE-PIPING WORK; NOT TO SCALE
ACCURATE DIMENSIONS AND DETAILS WILL BE ISSUED WITH ENGINEERING DRAWING;