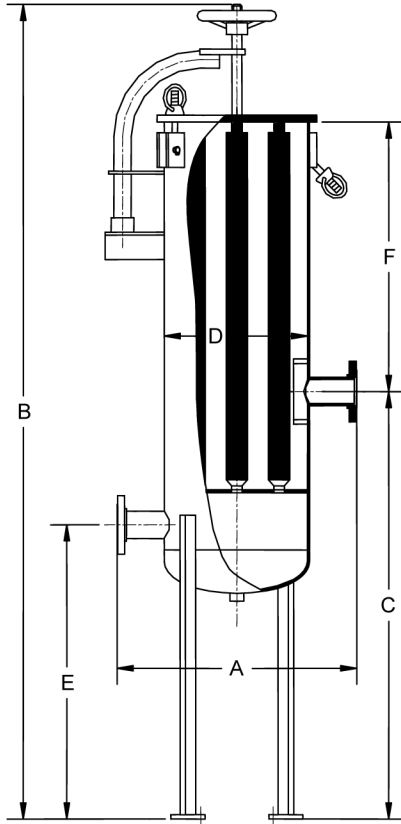


### SPECIFICATIONS



**MAX # OF CARTRIDGES: 12 (Ø2 1/2)**

**MATERIAL:** CS, SS (TYPE 304, 316...), EXOTIC ALLOYS, OR OTHER ON REQUEST

**CONNECTION TYPES:**

FLANGE: RFSO, RFWN #150;

COUPLING: FNPT#3000; MNPT#3000;  
SANITARY TRI-CLAMP

**DRAIN CONNECTION:** 1" FNPT#3000 2 PLC'S.

**VENT CONNECTION:** 1/4" FNPT#3000 ON LID

**GAUGE CONNECTION:** 1/4" FNPT#3000 ON LID

**DESIGN PRESSURE:** 150PSI, OR PER REQUEST

**DESIGN TEMPERATURE:** 250°F, OR PER REQUEST

**GASKET:** BUNA-N, EPR/EPDM, TEVC, VITON, OR OTHER ON REQUEST

**CARTRIDGE TYPES:** DOUBLE OPEN END  
222 TYPE O-RING  
OR OTHER ON REQUEST

**THREE LEGS WITH BOLT DOWN HOLES Ø1"**

CARTRIDGE LENGTH	A	B	C	D	E	F	INLET/OUTLET CONNECTION SIZE
10	20 5/8	53	35 1/2	12 3/4	27	7	2
20	20 5/8	63	44	12 3/4	27	8 1/2	3
30	20 5/8	73	44	12 3/4	27	18 1/2	3
40	20 5/8	82	44	12 3/4	27	27	4

NOTES: SPECIFICATION AND SIZES CAN CHANGE WITHOUT PRIOR NOTICE; FOR REFERENCE ONLY; NOT TO BE USED FOR PRE-PIPING WORK; NOT TO SCALE  
ACCURATE DIMENSIONS AND DETAILS WILL BE ISSUED WITH ENGINEERING DRAWING;