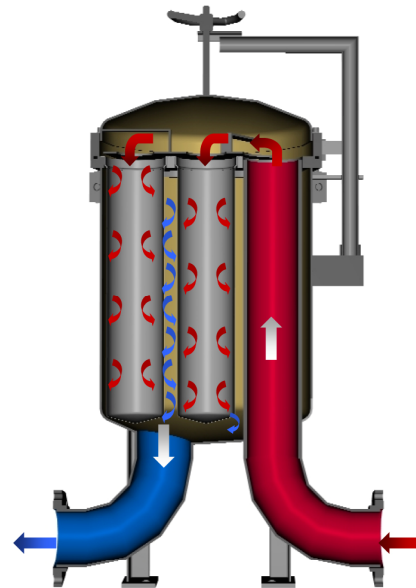
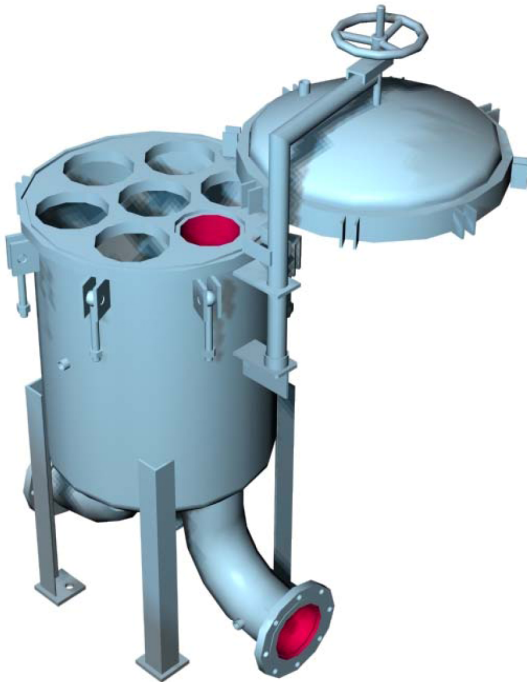


# BG6

## SIX BAG FILTER



### SPECIFICATIONS:

- **MATERIAL OF CONSTRUCTION:** Carbon Steel, Stainless Steel (type 304, 316...), Exotic Alloys, Other on request
- **STANDARD SURFACE FINISH:**  
Carbon Steel Vessels: Blasted and painted blue  
Stainless Steel Vessels: Glass bead  
Special finish available on request:  
Food grade finish, Epoxy, Rubber lining or others
- **COVER O-RING MATERIAL:** Buna-N (standard)  
Other available on request
- **STANDARD DESIGN RATING:** 150PSIG @ 225°F  
MDMT -20°F @ 150PSIG  
Other available on request
- **BOLTS AND HEX NUT MATERIAL:** Carbon Steel, or per request
- **CONNECTIONS: IN/OUT:** 6"RFSO – 150# FLG.  
Pres. Gauges: 1/2"FNPT – 3000#CPLG.  
Vent: 1/2"FNPT – 3000#CPLG.  
Drain: 2"FNPT – 3000#CPLG.  
Other available on request
- **FILTER BAGS MUST BE ORDERED SEPARATELY**
- **BAG HOLD DOWN SYSTEM:** Bolted grid or self seal plate  
(Sole option to purchaser)
- **FILTER BAG SIZE:** P2E/P2S
- **STANDARD BASKET:** SIZE: #2, OAKLAND STYLE  
Material: SS316 from Perforated plate with 1/8" holes on 3/16" centers
- **BASKET O-RING MATERIAL:** Buna-N  
Other available on request

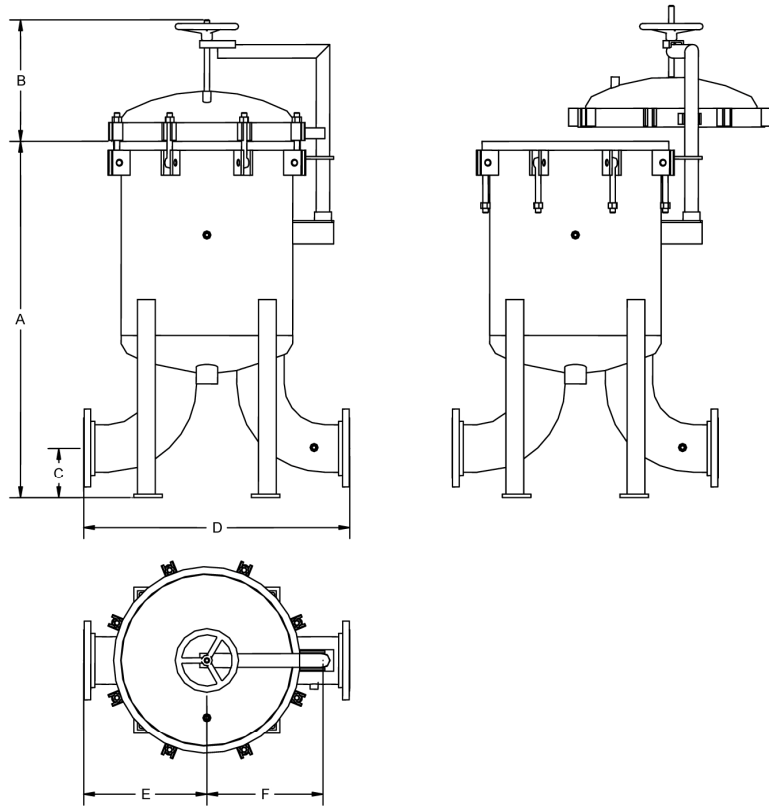
**NOTES:** SPECIFICATION AND SIZES CAN CHANGE WITHOUT PRIOR NOTICE; FOR REFERENCE ONLY; NOT TO BE USED FOR PRE-PIPING WORK; NOT TO SCALE  
ACCURATE DIMENSIONS AND DETAILS WILL BE ISSUED WITH ENGINEERING DRAWING



385 Watline Avenue, Mississauga, Ontario, L4Z 1P3

# BG6

## SIX BAG FILTER



| <i>MODEL</i> |              |
|--------------|--------------|
| <i>DIM'S</i> | <i>BG6-L</i> |
| <i>A</i>     | 50           |
| <i>B</i>     | 17           |
| <i>C</i>     | 7            |
| <i>D</i>     | 37 1/4       |
| <i>E</i>     | 17 1/4       |
| <i>F</i>     | 16 1/4       |

**NOTES:** SPECIFICATION AND SIZES CAN CHANGE WITHOUT PRIOR NOTICE; FOR REFERENCE ONLY; NOT TO BE USED FOR PRE-PIPING WORK; NOT TO SCALE  
ACCURATE DIMENSIONS AND DETAILS WILL BE ISSUED WITH ENGINEERING DRAWING



385 Watline Avenue, Mississauga, Ontario, L4Z 1P3