

BG1

SINGLE BAG FILTER

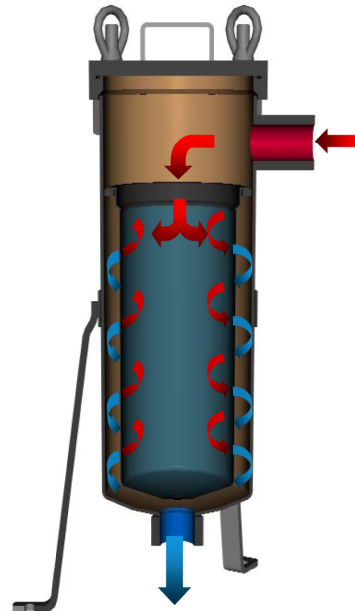
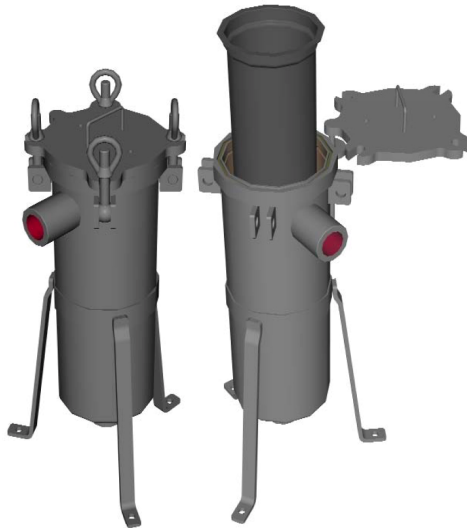


MODEL: BG1

SPECIFICATIONS:

- **MATERIAL OF CONSTRUCTION:** Carbon Steel, Stainless Steel (type 304, 316...), Exotic Alloys, Other on request
- **STANDARD SURFACE FINISH:**
Carbon Steel Vessels: Blasted and painted blue
Stainless Steel Vessels: Glass bead
Special finish available on request:
Food grade finish, Epoxy, Rubber lining or others
- **COVER O-RING MATERIAL:** Buna-N (standard), EPDM, TEV, Viton, other available on request
- **STANDARD DESIGN RATING:** 150PSIG @ 225°F
MDMT -20°F @ 150PSIG
Other available on request
- **BOLTS:** Eye bolts and hex nuts (standard), Eye nuts (optional)
Material: Carbon Steel, or per request
- **CONNECTIONS:**
IN/OUT: 2" 150# FLG.(std. on BG1)
2" FNPT – 3000# CPLG. (std. on BG1-SI)
Pres. Gauges: 1/4" FNPT – 3000# CPLG.
Vent: 1/4" FNPT – 3000# CPLG.
Other available on request
- **BASKET:** Size #1 or #2
Material: SS316 from Perforated plate
Optional #10 Mesh
- **ADJUSTABLE LEGS:** Material same as vessel
- **FILTER BAGS MUST BE ORDERED SEPARATELY**

MODEL: BG1-SI



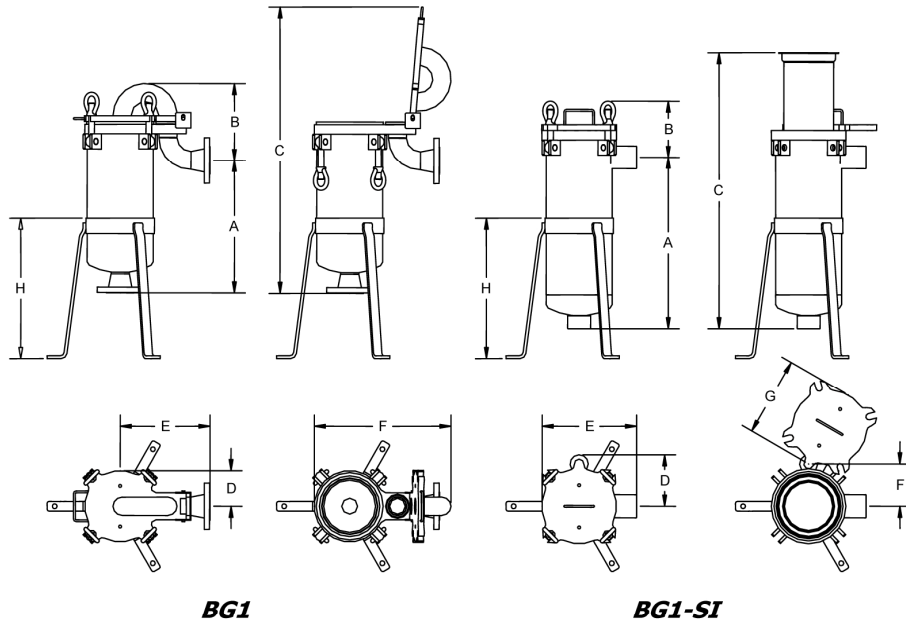
NOTES: SPECIFICATION AND SIZES CAN CHANGE WITHOUT PRIOR NOTICE; FOR REFERENCE ONLY; NOT TO BE USED FOR PRE-PIPING WORK; NOT TO SCALE
ACCURATE DIMENSIONS AND DETAILS WILL BE ISSUED WITH ENGINEERING DRAWING



385 Watline Avenue, Mississauga, Ontario, L4Z 1P3

BG1

SINGLE BAG FILTER



DIM'S	MODEL			
	BG1	BG1-L	BG1-SI	BG1-L-SI
A	16 3/4	30 1/4	22 7/16	34 1/16
B	10 1/16	10 1/16	7 3/8	7 3/8
C	37 1/2	49 1/4	42 13/16	54 7/16
D	4 5/8	4 5/8	6 5/8	6 5/8
E	11 3/4	11 3/4	12 3/8	12 3/8
F	17 13/16	17 13/16	5 1/2	5 1/2
G			10 3/8	10 3/8
H	19	19	19	19

NOTES: SPECIFICATION AND SIZES CAN CHANGE WITHOUT PRIOR NOTICE; FOR REFERENCE ONLY; NOT TO BE USED FOR PRE-PIPING WORK; NOT TO SCALE
ACCURATE DIMENSIONS AND DETAILS WILL BE ISSUED WITH ENGINEERING DRAWING



385 Watline Avenue, Mississauga, Ontario, L4Z 1P3