

BG3

THREE BAG FILTER



MODEL: BG3-L-EL

EL-Easy Lifting

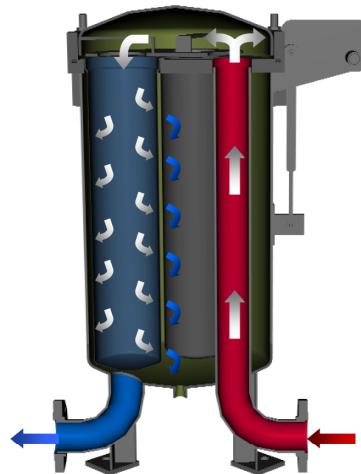


SPECIFICATIONS:

- **MATERIAL OF CONSTRUCTION:** Carbon Steel, Stainless Steel (type 304, 316...), Exotic Alloys, Other on request
- **STANDARD SURFACE FINISH:**
Carbon Steel Vessels: Blasted and painted blue
Stainless Steel Vessels: Glass bead
Special finish available on request:
Food grade finish, Epoxy, Rubber lining or others
- **COVER O-RING MATERIAL:** Buna-N (standard)
Other available on request
- **STANDARD DESIGN RATING:** 150PSIG @ 225°F
MDMT -20°F @ 150PSIG
Other available on request
- **BOLTS AND HEX NUT MATERIAL:** Carbon Steel, or per request
- **CONNECTIONS:** IN/OUT: 3"RF50 – 150# FLG.
Pres. Gauges: 1/2"FNPT – 3000#CPLG.
Vent: 1/2"FNPT – 3000#CPLG.
Drain: 1/2"FNPT – 3000#CPLG.
Other available on request
- **FILTER BAGS MUST BE ORDERED SEPARATELY**
- **BAG HOLD DOWN SYSTEM:** Bolted grid or self seal plate
(Sole option to purchaser)
- **FILTER BAG SIZE:** P2E/P2S
- **STANDARD BASKET:** SIZE: #2, OAKLAND STYLE
Material: SS316 from Perforated 18GA plate with Ø1/8" holes on 3/16" centres
- **BASKET O-RING MATERIAL:** Buna-N

MODEL: BG3-L-ECEL

EL-Easy Lifting
EC-Easy Changeover



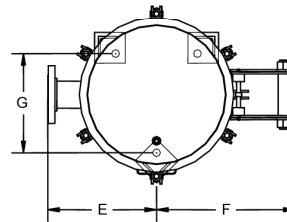
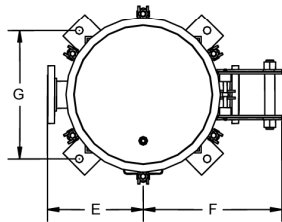
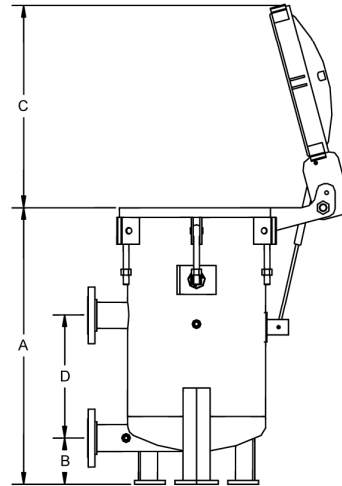
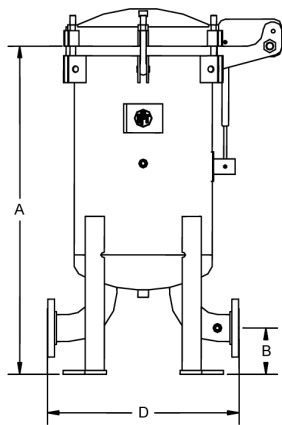
NOTES: SPECIFICATION AND SIZES CAN CHANGE WITHOUT PRIOR NOTICE; FOR REFERENCE ONLY; NOT TO BE USED FOR PRE-PIPING WORK; NOT TO SCALE
ACCURATE DIMENSIONS AND DETAILS WILL BE ISSUED WITH ENGINEERING DRAWING



385 Watline Avenue, Mississauga, Ontario, L4Z 1P3

BG3

THREE BAG FILTER



BG3-L-EL

BG3-L-ECEL

DIM'S	MODEL	
	BG3-L-EL	BG3-L-ECEL
A	42 3/4	36
B	6	6
C	26 1/2	26 1/2
D	25	16
E	12 1/2	14 1/4
F	18	18
G	16 5/8	13

NOTES: SPECIFICATION AND SIZES CAN CHANGE WITHOUT PRIOR NOTICE; FOR REFERENCE ONLY; NOT TO BE USED FOR PRE-PIPING WORK; NOT TO SCALE
ACCURATE DIMENSIONS AND DETAILS WILL BE ISSUED WITH ENGINEERING DRAWING



385 Watline Avenue, Mississauga, Ontario, L4Z 1P3